

The SOLR® 4500 Pre-Breather is the latest addition to our line of advanced technology oxygen systems, known as SOLR®. The SOLR® 4500 Pre-Breather was designed to replace our Oxygen Console (OXCON) that has been the standard for Military Free Fall (MFF) operations for over 20 years. Due to the ever changing needs of the modern warfighter, Airborne Systems has designed the SOLR® 4500 Pre-Breather to be user-friendly, portable, and leave a small logistical footprint.

Modular Design

One of the many advantages of the SOLR® 4500 Pre-Breather is its modular design. Due to the modular design, it can be mounted quickly and easily into a multitude of military or civilian aircrafts.

These included but are not limited to:

- C-130
- C-160
- C-17
- CASA
- A400M
- SkyVan
- Twin Otter

Portable

The SOLR® 4500 Pre-Breather is so portable that it gives jumpers the ability to start pre-breathing outside the aircraft and then mount the SOLR® 4500 Pre-Breather on its attachment system when they step inside, all whilst continuing to pre-breathe. This not only saves time, but gives the opportunity to pre-breathe in a climate controlled environment.

Clandestine Operations

The SOLR® 4500 Pre-Breather and the attachment system are so small that they are able to be carried in a rucksack. This leaves no evidence of parachutist activity once the jumpers have exited the aircraft.



Key Features

- 4,500 psi MAX service pressure
 - 285 cubic inches
 - Always ON, for safe and simple operations
 - Pre-Breathing Time: 140 minutes @ 10,000 ft MSL*
- *Breathing rate per JSSG 2010-10: 18 L/min

Specifications

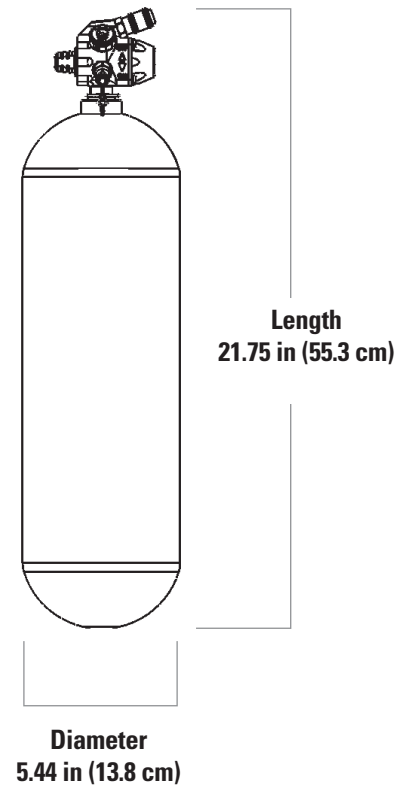
Medium	Oxygen
Cylinder fill pressure	4,500 psig 310 bar (DOT)
Outlet pressure	65 to 75 psig – 4.5 to 5.2 bar
Weight (unfilled)	8.215 lb (3.75 kg)
Expanded gas volume	51.5 cu ft at 4,500 psig (1457 liters at 310 bar)
Cylinder water volume	285 cu in – 4.7 liters
Cylinder type	DOT (4,500 psig) Carbon fiber wrapped, aluminum lined composite

Operating Environment

Tested	Per MIL-STD-810G
Temperature	-65° – 160°F -54° – 71°C
Humidity	0 to 100%, non-condensing
Altitude (ceiling)	35,000 ft - 10,668 m

Product Interfaces

Fill port	IAW AN800
Outlet fitting	Quick Disconnect Socket (mates with 1/8 inch plug)
Charging System (Optional)	4,500 psig SOLR® Oxygen Booster Pump



AIRBORNE SYSTEMS NORTH AMERICA

sales@airborne-sys.com
airborne-sys.com

NEW JERSEY
5800 North Magnolia Avenue
Pennsauken, NJ 08109, USA
Tel: +1.856.663.1275
Fax: +1.856.663.3028

CALIFORNIA
3100 W. Segerstrom Avenue
Santa Ana, CA 92704, USA
Tel: +1.714.662.1400
Fax: +1.714.662.1586

TRAINING FACILITY
4760 North Lear Drive
Eloy, AZ 85131, USA
Tel: +1.856.571.4717